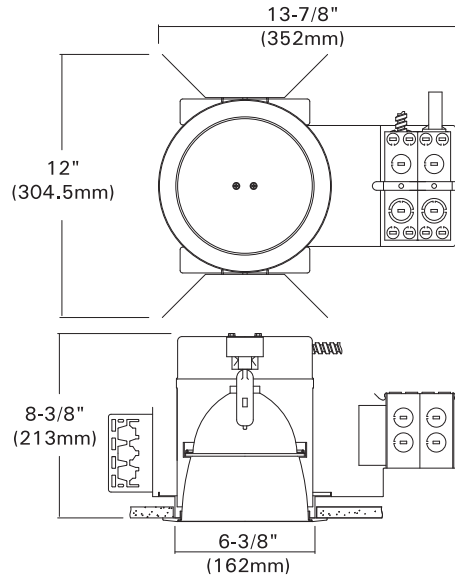


DL-1660TH

6" Architectural Frame-in kit For T6 CMH Lamp

Catalog #		Type
Project		Date
Prepared by		

METAL HALIDE



DESCRIPTION

The DL-1660TH is a 6" aperture housing for T6 G12 base with upper reflectors for various beam spreads for general and task lighting.

A vertical T6(G12 base) ceramic metal halide lamp, provided electronic ballast on J-box

DESIGN FEATURES

Ceiling Cut-out : 6-1/2"
Lamp, Max, Watt. : 100W T6

◦ Housing

- C-UL listed, NON-IC, thermally protected housing for vertical T6 G12 base ceramic metal halide lamps.
- 1-5/8" deep collar may install various thickness of ceiling.

◦ Junction Box

- Listed for through branch circuit wiring.(Max.8 No 12 AWG 90°C branch circuit conductors. (4 in, 4 out)
- (5)1/2" knockouts with true pry-out slots and (4) knockouts with Romex cable clamp.
- Ground wire provided on J-box.

◦ Mounting Channel Bracket

- Commercial mounting kit provided up to 5" vertical adjustment which accommodates 1/2" EMT conduit, optional HB-24 or HBC-24 bar hanger or lathing channels for T-bar grid or concealed spline ceiling.

◦ Upper Reflector

- Clear anodized high quality aluminum.
- Changeable reflector for narrow, medium & wide beam spreads.

◦ Lower Reflectors

- Anodized clear, gold, champagne, pewter color finished aluminum.

◦ Trim Ring

- White steel ring or plated chrome, satin nickel, polished brass, natural steel color ring.

◦ Socket

- G12 base for T6 lamp.

◦ Lamp Shield

- High heat tempered glass shield with clear or frosted lens captive in reflector aperture.

◦ Electronic Ballast

- 120 and 277 volts for 50/60Hz operation high power factor,class A sound rated.

◦ Thermal Protector

- Self resetting thermal detector on J-box deactivates fixture if overheating occurs due to improper lamping or mis-applied insulation.
- Install varied detectors according to input voltages.

* Listing

- UL, c-UL listed for damp location.
- UL, c-UL listed for feed through.

Trims



TM-239R-HC

TM-239F TM-239RF

Haze Clear Reflector
w/ Regressed Lens
Metal Halide T4.5 lamps

White Metal Trim Ring
O.D : 7-7/8"
*Symbol (RF) is for Self-flange



TM-236B-WH

TM-236B

Baffle w/ Fresnel Lens
Metal Halide T4.5 lamps

White Metal Trim Ring
O.D : 7-7/8"



TM-238-HC

TM-238

Haze Clear Reflector
w/ Frosted Drop Lens

White Metal Trim Ring
O.D : 7-7/8"

Ordering Information

Housing	Ballast	Lamp	Voltage	Beam Angle
DL-1660TH	E : Electronic	39 : 39W 70 : 70W 100 : 100W	-Blank : 120V -27 : 277V	-S : Pin Spot (10 degree) -N : Narrow Spot beam (12 degree) -M : Medium Spread beam (25 degree) -W : Wide Flood (46 degree)

Example : DL-1660TH-E70

Example : TM-239R-HC-WH-W